

JAMEC PEM

TYRE INFLATOR DIGITAL AUTOMATIC



OPERATING INSTRUCTIONS
PRODUCT NO. 11.0578

CE COMPLIES WITH
EN12645: 2014*

jamecpem.com

Facebook: @jamecpem Instagram: @jamecpem

TYRE INFLATOR DIGITAL AUTOMATIC

The Jamec Pem Digital Automatic Tyre Inflator represent quality and guaranteed accuracy. The classic handheld, slimline design is easy to hold and is designed to last in rugged workshop environments, utilised in a majority of Australian service stations.

FEATURES

- Includes Certificate of calibration
- Two programmable pre-set buttons
- Multi-scale gauge
- Large LCD backlit digital display
- Accuracy exceeds EC Standards
- Auto on upon pressure sensing
- OPS (Over Pressure Setting) function that allows the tyre to be inflated to a certain pressure then deflates automatically to a normal operating pressure, used for seating tyres on rims
- Tough metal housing
- Includes 1/8" – 1/4" adaptor (inlet fitting not included)

SPECIFICATIONS

Operation	Auto inflate / deflate / measure
Supply pressure max.	182 psi
Max. inflation	174 psi
Chuck type	Clip on
Chuck style	Single straight
Scale	psi, kPa, bar
Inlet size	1/4" BSP
Hose length	10 m
Accuracy	± 2 psi @ 25 – 75 psi
Inflation volume L/min	2500 L/min @ 182 psi
IP rating	IP44
Weight	2.3 kg
Advised application	Industrial, workshops

MAINTENANCE

DAILY MAINTENANCE

The device does not require a particular maintenance routine but a check of the pneumatic connections is suggested frequently to make sure of correct air supply, the use of an air pre-filter is mandatory for this unit to operate properly.

SPECIAL MAINTENANCE

This is a sensitive piece of equipment if you have an error that cannot easily be fixed please contact an authorised service agent.

NOTE: All faulty PCBs that are within the warranty period are to be returned to factory for assessment and repairs. PCBs that are found to be burnt due to water damage will not be covered under any warranty.

IMPORTANT

This tyre inflator must only be connected to air line systems which have clean dry air. Any moisture in the air line system may cause damage to the operation of this tyre inflator and void warranty.

Air pre-filters must be used with this inflator to ensure product accuracy and longevity.

COMPONENTS LIST

PLEASE CHECK AND MAKE SURE THAT THE FOLLOWING COMPONENTS ARE COMPLETE IN THE PACKAGE.

- Automatic Tyre Inflator with power cord
- 7.6 m (25') air hose
- Hook and M6 x 38 screw kit (1 pc)
- User manual
- M6 x 38 screw 4 pcs for wall mounting
- 1/8" – 1/4" adaptor

INSTALLATION

1. Unpack the unit.
2. Hold the unit up on the wall and mark where the four (4) holes are to be drilled.
3. Secure the unit using suitable fastener.
4. Connect the air supply to the unit.
5. Connect the rubber hose as air outlet
6. Connect the power supply.

WARNING

To avoid risk of personal injury, especially to the eyes, face and skin **DO NOT** direct the air stream at any person, or any part of the body. This equipment is not intended for use by children without adult supervision. The manufacturer reserves the right to change product features at any time with out notice. When using the OPS function, the sum pressure must not exceed the tyre manufacturer's maximum inflation pressure.

This unit is connected directly to compressed air and this air contains oil and water. Water is from condensation and oil is from the compressor. Water and oil will destroy this device, so it is important to filter them out first from the system, this means you must attach a filter prior to this devices air connection.

YOU MUST USE AN AIR PRE-FILTER WITH THIS INFLATOR OTHERWISE WARRANTY WILL BE VOIDED

Electrical connections should be carried out by a qualified person strictly according to the related regulation applicable at the location where the inflator is used.

To avoid equipment damage, never exceed the maximum inlet pressure of 182 psi

To avoid the risk of personal injury, especially to the eyes, face or skin, **DO NOT** direct the air stream at any person.

This equipment is not intended for use by children without adult supervision.

When using the OPS function, the sum pressure must not exceed the tyre manufacturers maximum inflation pressure.

GENERAL NOTES

- During extended inactivity, please package the inflator and keep it away from damp, heat or impact, etc.
- After unpacking the inflator, the packing materials should be disposed of according to the laws and regulations applicable to the country being used.
- Please check carefully to ensure that no part is damaged, so to ensure safe and normal operation.
- The Automatic Tyre Inflator can be installed outside, but a shelter is suggested, so to protect the equipment from the weather and extend the service life.

OPERATION

The device includes the OPS (Over Pressure Setting) function which allows for the tyre's pressure to be set very high and then reduced to the pre-determined pressure. This is very handy for use when a new tyre is fitted to a rim.

SETTING THE UNIT OF MEASURE:

This device has four units of measure that can be chosen by the user:

- kPa - Kilopascals
- bar
- psi - Pounds per square inch
- kg / cm² - Kilograms per square centimetre

Once the unit is set, it will become the default unit for following usage.

1. Press (i) once the unit of measure starts to flash.
2. Press (+) or (-) to choose the unit.
3. Press Flat tyre/Confirm button to set the unit of measure.

SETTING OPS:

1. Press (i) twice, OPS will be flashing on the LCD screen.
2. Press (+) or (-) to choose the OPS value.
3. Press Flat tyre/Confirm button. If OPS value is not zero, OPS will be displayed on the LCD screen.

INFLATION AND DEFLATION:

1. Press (+) or (-) to select target pressure.
2. Connect with tyre valve, ensure there are no air leaks and inflator will start automatically.
3. When inflation is finished, the tyre inflator will stop automatically and BEEP to notify that inflation has finished.
4. Disconnect the air hose from tyre valve.

PROGRAMMABLE BUTTONS:

1. Press P1 or P2 buttons once. Press (+) or (-) to select pressure desired.
2. Press the Flat tyre/Confirm button once and there will be a beep to confirm the programmable button has been set to the desired pressure.
3. You can set each programmable button to a different pressure.
4. If the unit is turned off the programmable buttons will have to be re-programmed.

FUNCTIONS:

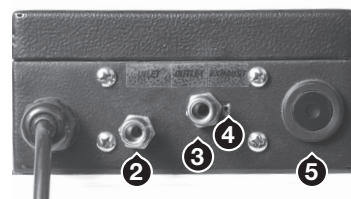
1. Press (i) to enter the function setting mode. After selecting the unit of measure, press (i) again to enter the OPS setting. Pressing the (i) button three times and the device exit out of the function setting mode without saving the selection.
2. When OPS function is on, the device will inflate to target pressure plus OPS value first, then deflate to tyre pressure desired, for example: A final target of 32 psi or 2.2 bar with an OPS setting of 16 psi or 1.1 bar gives a sum of 48 psi or 3.3 bar. This sum of 48 psi or 3.3 bar is the Over Pressure setting for the tyre. The tyre will inflate to the sum value and deflate to the final target pressure.
3. If tyre pressure is lower than 3 psi or 0.2 bar, the device will not start automatically. Press Flat tyre/Confirm button for 2 seconds to start the inflator manually. And will inflate to the target pressure on the LCD display.
4. During inflation, the device will check tyre pressure automatically, the rolling bar shows inflation/deflation in progress and left to right means inflating, right to left means deflating.

PRODUCT IDENTIFICATION



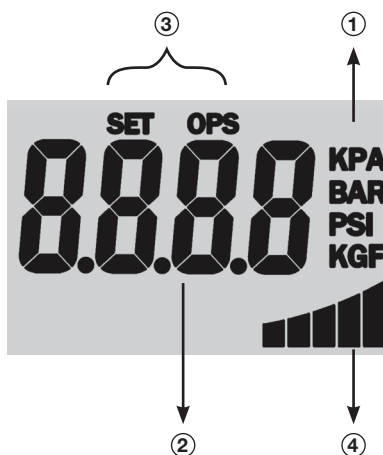
CONTROL PANEL

- ⊖ Reduce final target pressure
- ⊕ Increase final target pressure
- i Function select: Unit change/OPS set
- Flat tyre/Confirm button. Use this button to start the inflation process when the pressure in the tyre is less than 3 psi.
- P1 Programmable preset button
- P2 Programmable preset button



CONNECTIONS


1. Power cable
2. Air inlet
3. Air hose outlet
4. Exhaust
5. Buzzer (audible warning)



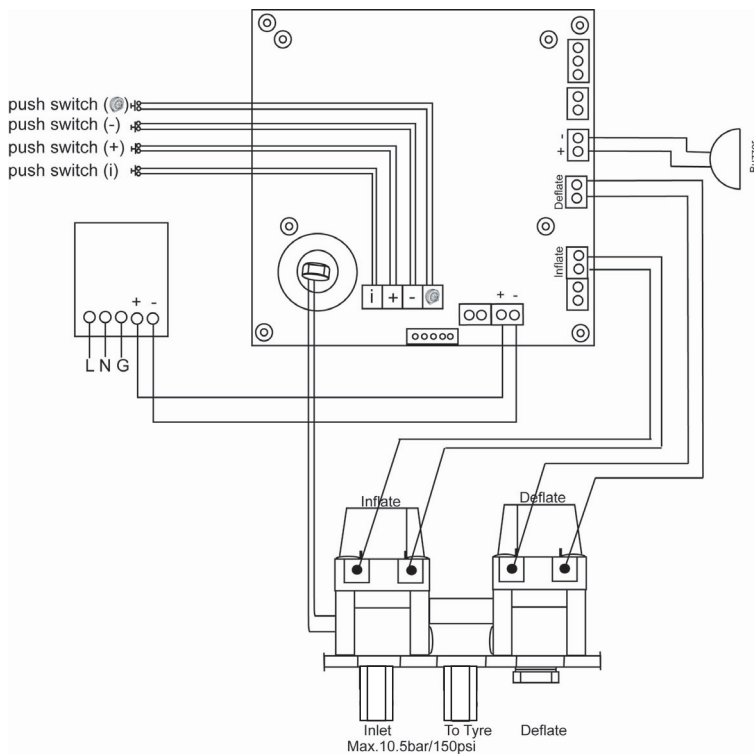
DISPLAY

1. Unit of measure
2. Pressure display
3. Function selection
4. Rolling bar

TROUBLESHOOTING

PROBLEM	POSSIBLE CAUSE	SOLUTION
Air leak	Leak in the connection	Check the pneumatic connection
The inflator works, but no air inflated	Obstruction in the filters or in air system	Clean the filters and check the air tube
No display	Check power supply	Reconnect
Inflation does not start, although the pressure is set and the hose is connected with tyre	Air hose improperly connected connection	Check the hose connection, make sure that no air leaks
	Tyre pressure is below 0.2 bar (3 psi)	Press 
The unit deflates very slowly	The exhaust is blocked	Make sure exhaust hole is clean
Er1	Pressure sensor broken	Power off, change pressure sensor
Er2	Unstable pressure, faulty hose connector	Replace hose connector or re-connect hose to the tyre
Er3	Connected tyre pressure is too high pressure 13 bar (188.5 psi)	Stop inflating this tyre
Er4	Wrong connections at air inlet and outlet	Refer to wiring diagram and connect magnetic valve accordingly
Er5	Low voltage	Check the power supply
Er6	Calibration error	Unit requires calibration
Er7	Calibration error	Unit requires calibration
Er8	Air supply lower than set inflate pressure	Increase air supply pressure or stop inflating this tyre

WIRING DIAGRAM



CALIBRATION CERTIFICATE

This Tyre Inflator Part Number: 11.0578 has been calibrated in its normal working position on test equipment with an accuracy that is traceable to standards according to: **EN12645: 2014**

Serial Number:

Date:

ALLOWABLE TOLERANCE

PSI	± 1.2	Up to and including 58 psi
	± 2.3	Between 58 & 145 psi inclusive
	± 3.6	Greater than 145 psi

TEST RESULTS

REFERENCE PRESSURE PSI	29.0	58.0	87.0	116.0
DISPLAY PRESSURE PSI				

**CE COMPLIES WITH
EN12645: 2014***

* Tyre pressure measuring Instruments, devices for Inspection of pressure and/or Inflation/Deflation of tyres for motor vehicles.

IMPORTANT

No responsibility is accepted for incorrect use of this product.

JAMEC PEM

JAMEC PEM

Distributed by
TRADEPEM INDUSTRIAL PTY LTD.

jamecpem.com
Facebook icon @jamecpem Instagram icon @jamecpem